

HOW TO ASSEMBLE *TracPipe*[®] *AutoSnap*[®] FITTINGS

INSTRUCTIONS for Making Fitting Connections to Flexible Gas Piping

- CUT-TO-LENGTH:** Determine the proper length. Cut through the plastic jacket and stainless steel tubing. Cut must be centered between two corrugations. Use full circular strokes in one direction and tighten roller pressure slightly (a quarter turn) after each revolution. **DO NOT OVERTIGHTEN ROLLER**, which may flatten the tubing.

NOTE: Due to the large diameter and depth of the corrugation on sizes over 1 inch, tubing must be cut with a standard tubing cutter RIDGID™ 152 or equal using a CounterStrike® cutting wheel no. FGP-E-5272. (P/N E-5272 or equal)

CAUTION: Use of a small cutting wheel may flatten the first corrugation and make cutting and/or sealing of the fittings difficult.

- STRIP JACKET:** Using a utility knife, strip the jacket so that **THREE** corrugations remain exposed outside of the jacket. **CAUTION: For your personal safety—Knife blade and cut tubing ends are both sharp. Use care when stripping the jacket and handling the tubing.**

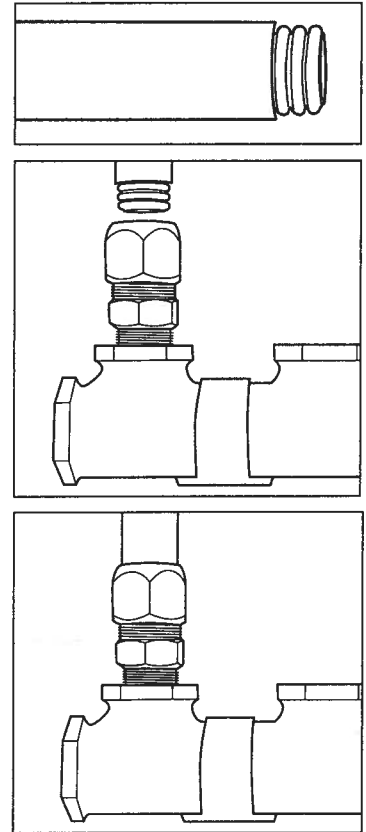
- REMOVE FITTING FROM BOX:** Install the fitting into the tubing termination location, using thread sealant on the NPT thread. **DO NOT TIGHTEN THE NUT ON THE FITTING BODY; USE A WRENCH ONLY ON THE FITTING BODY HEX FLAT, NOT THE NUT. DO NOT OVERLY LOOSEN OR REMOVE THE NUT**

COMPLETELY FROM FITTING. Loosen nut on the fitting 1 to 1-1/2 turns. For best results straighten the tubing before insertion. Insert the tubing into the back end of the fitting until it snaps into place

While holding the tubing firmly into the fitting, tighten the nut by hand.

Check to make sure the tubing is captured by pulling on the tubing. If the tubing has been captured, use adjustable end wrenches and continue to tighten the fitting to the specified torque value or until resistance has greatly increased. **USE A SECOND ADJUSTABLE END WRENCH ON THE FITTING BODY, AS A BACK UP, WHILE TIGHTENING THE NUT. OVER TORQUING THE NUT MAY CAUSE DEFORMATION THAT WILL NOT ALLOW THE FITTING TO BE REUSED.**

Size	Strip Length	Min Torque (ft-lbs)
3/8"	3 Corrugations	25
1/2"	3 Corrugations	30
3/4"	3 Corrugations	40
1"	3 Corrugations	45
1 1/4"	3 Corrugations	55
1 1/2"	3 Corrugations	75
2"	3 Corrugations	90



**DO NOT USE THREAD SEALANTS WITHIN THE FITTING.
USE THREAD SEALANTS ONLY ON THE NPT THREADS.**

FGP-734 11/13

HOW TO DISASSEMBLE *TracPipe*[®] *AutoSnap*[®] FITTINGS

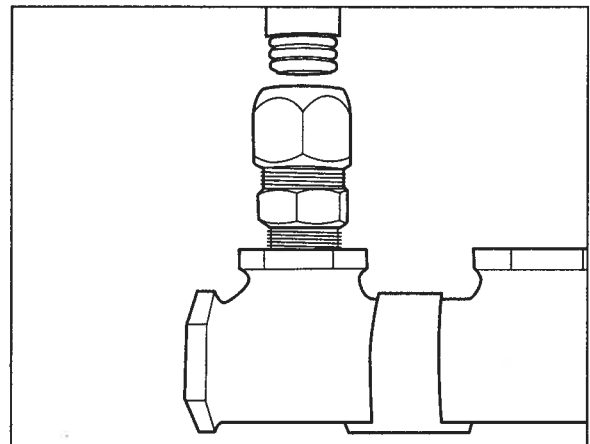
INSTRUCTIONS to Remove Fitting Connections from Flexible Gas Piping in the Event of a Leak or for Re-Use

- REMOVE TUBING FROM FITTING:** Loosen the nut from the fitting. By moving tubing back and forth the snap ring will open and allow the nut and tubing to be removed from the fitting body. Inspect the tubing cut: The majority of leaks occur due to a bad cut. Make sure the end of the tubing cut is clean and free from tears and burs.

- REMOVE NUT FROM TUBING:** When it is necessary to remove the nut from the tubing, strip the jacket back two corrugations behind the nut. Pull the nut back to expose the snap ring. Pry the snap ring off of the tubing using either a pair of pliers or a screwdriver. Remove the nut from the tubing.

- INSPECT THE SNAP RING:** Inspect the snap ring for deformation and replace if necessary. Using pliers, uniformly open the ring until it will not slip into the nut easily. Using your fingers to slightly compress the ring, press it back into the nut. If the ring falls easily into the nut, the ring has not been opened enough.

- IF THE JACKET WAS STRIPPED OFF TO REMOVE THE FITTING NUT:** re-cut the tubing so that only **THREE** corrugations of stainless steel tubing are exposed. Re-assemble the tubing and fitting as described in step 3 of the assembly instructions.



**DO NOT USE THREAD SEALANTS WITHIN THE FITTING.
USE THREAD SEALANTS ONLY ON THE NPT THREADS.**